

auto electrical parts

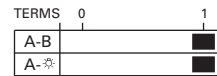
Technical Information Sheet

Part No. 0-690-60

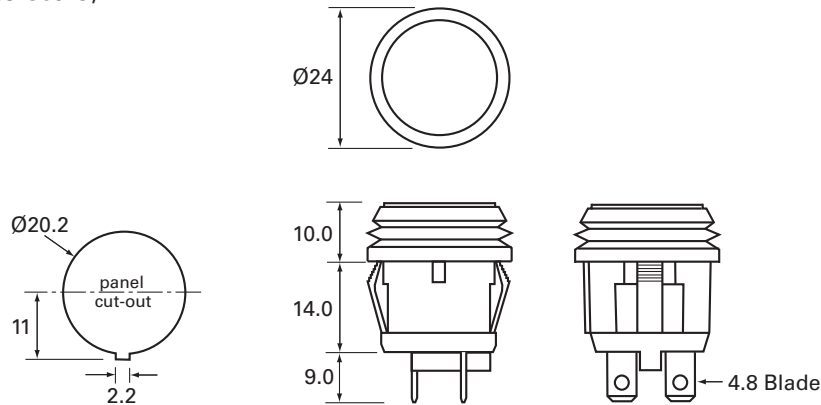
On/off, push-push single pole switch, 12/24 volt amber LED indicator with 4.8mm blade terminals. Snap fits into 20mm diameter panel hole. 20 amp at 12 volts DC rating and 10 amp at 24 volts DC rating.

Additional Information

- Terminal 1 - Supply +ve
- Terminal 2 - Switched load
- Terminal 4 - Ground -ve



Technical Drawing (not to scale)



Specification

Type	Single pole 2 position on/off push-push switch with LED indication
DC current rating	20 amps at 12v and 10 amps at 24v
LED	Amber
LED current @ 12 volts	7mA
Terminals	4.8mm lucar blade
Temperature range	-20°C to 85°C
Contact resistance	$\geq 50\text{m}\Omega$
Electric strength	500vdc/1000vac
Insulation resistance	$\leq 100\text{M}\Omega$
Material	Nylon
Panel cut-out	20mm
Panel depth	0.7 to 3.0mm
Protection	IP56
Weight	10g
Dimensions	$\varnothing 24 \times h 33\text{mm}$ (including terminals)

The information contained in this document is correct to the best of our knowledge at the time of printing. However, specifications may change at any time without notice.